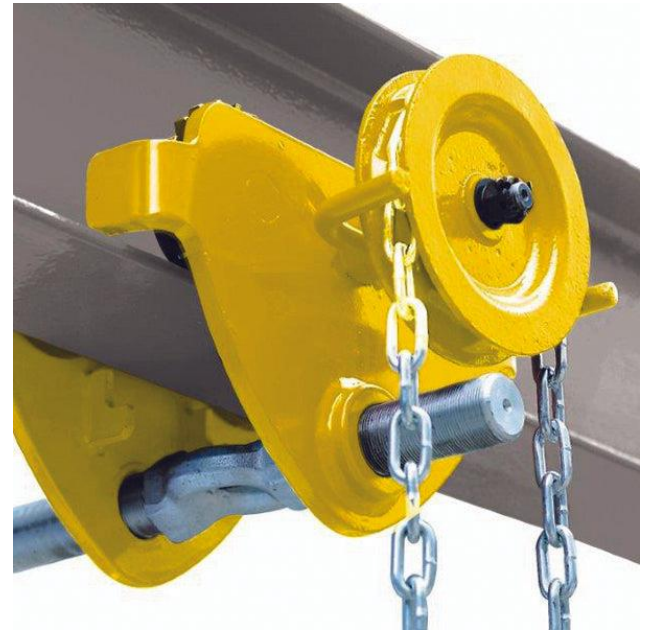
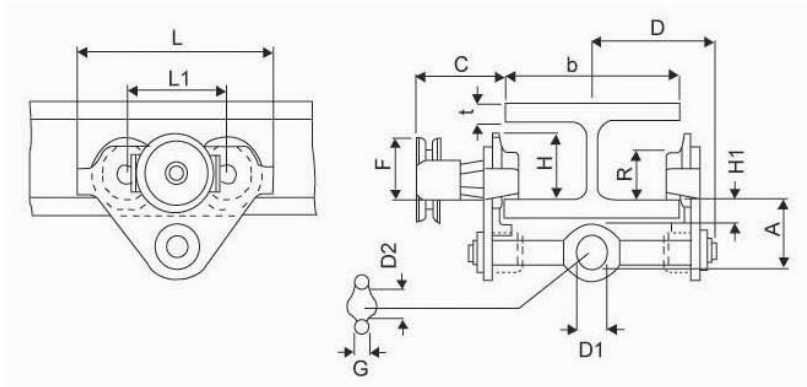


Geared Travel Trolley | Screw Bar Type

- SG Series



| Model | Capacity (Kgs) | Beam Flange Width b (mm) | Beam Flange Thickness t (mm) | A (mm) | G (mm) | D1 (mm) | D2 (mm) | H (mm) | H1 (mm) | L (mm) | L1 (mm) | R (mm) | D (mm) |
|-------|-------------------|-----------------------------------|---------------------------------------|-----------|-----------|------------|------------|-----------|------------|-----------|------------|-----------|-----------|
| SG05A | 500 | 50-220 | 25 | 81.5 | 12 | 25 | 30 | 30 | 39.5 | 199 | 100 | 55 | 140 |
| SG10A | 1000 | 50-220 | 25 | 96 | 16 | 30 | 36 | 36 | 44 | 246 | 120 | 68 | 151 |
| SG20A | 2000 | 66-220 | 25 | 102.5 | 20 | 40 | 48 | 48 | 34 | 276 | 132 | 80 | 157 |
| SG30A | 3000 | 74-220 | 25 | 128 | 24 | 46 | 58 | 58 | 46 | 332 | 155 | 100 | 164 |
| SG50A | 5000 | 90-200 | 25 | 133.5 | 28 | 52 | 65 | 65 | 40.5 | 377 | 168 | 110 | 173 |

